

## Lightning Series Fiber Laser

### BFL-CW6000



#### FEATURES:

- ◆ Good beam quality
- ◆ Good power stability
- ◆ Good system reliability
- ◆ Easy-to-use control

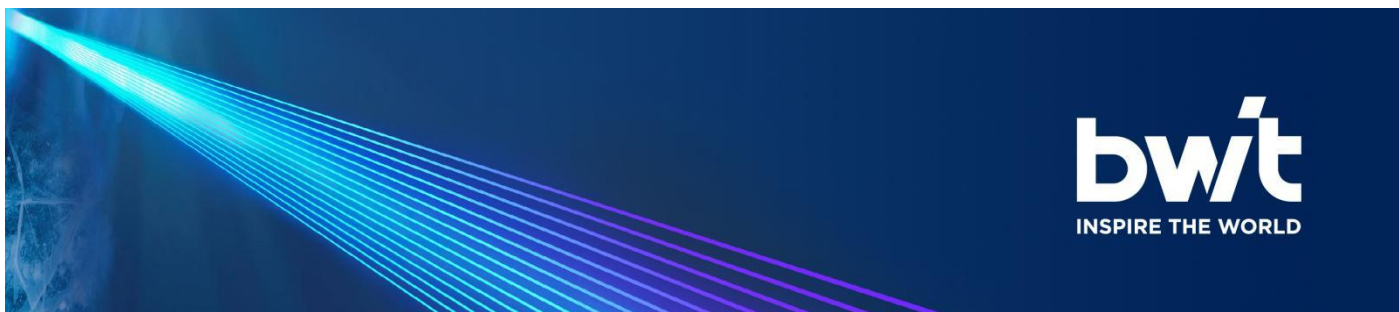
#### APPLICATION:

- ◆ Laser cutting
- ◆ Laser welding
- ◆ Lithium-ion battery processing
- ◆ Sheet metal processing

BWT Lightning series fiber lasers have Good beam quality, and the beam can be focused close to the diffraction limit, which makes them perfect choices for precision processing. The two operation modes, CW and modulation, minimize heat-affected zone. Reliable performance, modular and all-fiber design, and robust case enclosing all optical and electronic components ensure that they can be used under strict industrial conditions.

BTW Lightning series fiber lasers can be used in wide application like precision processing, sheet metal processing, lithium-ion battery manufacturing, etc. The lasers can process various types of metal, including aluminum-based and nickel-based alloys, titanium alloys and alumina ceramics.

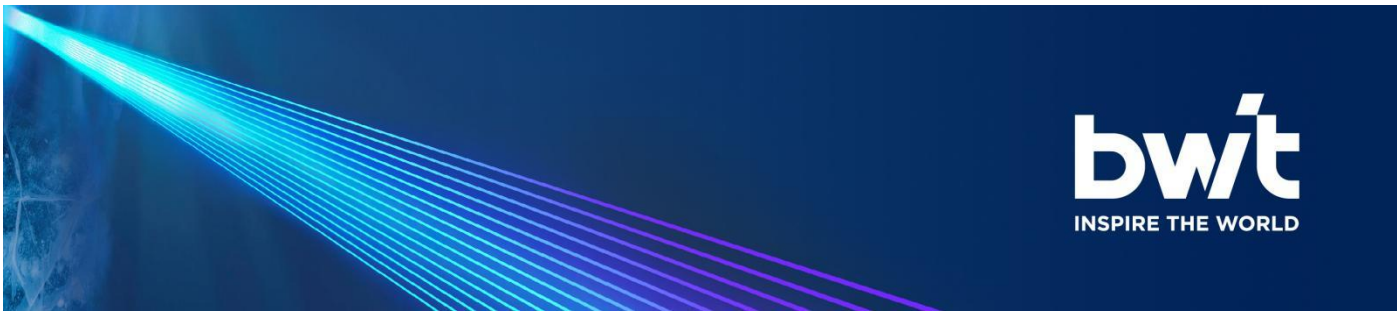
BTW professional laser application team, with good knowledge and experience, provides the best laser system solution for our customers all around the world.



## Lightning Series Fiber Laser

### BFL-CW6000

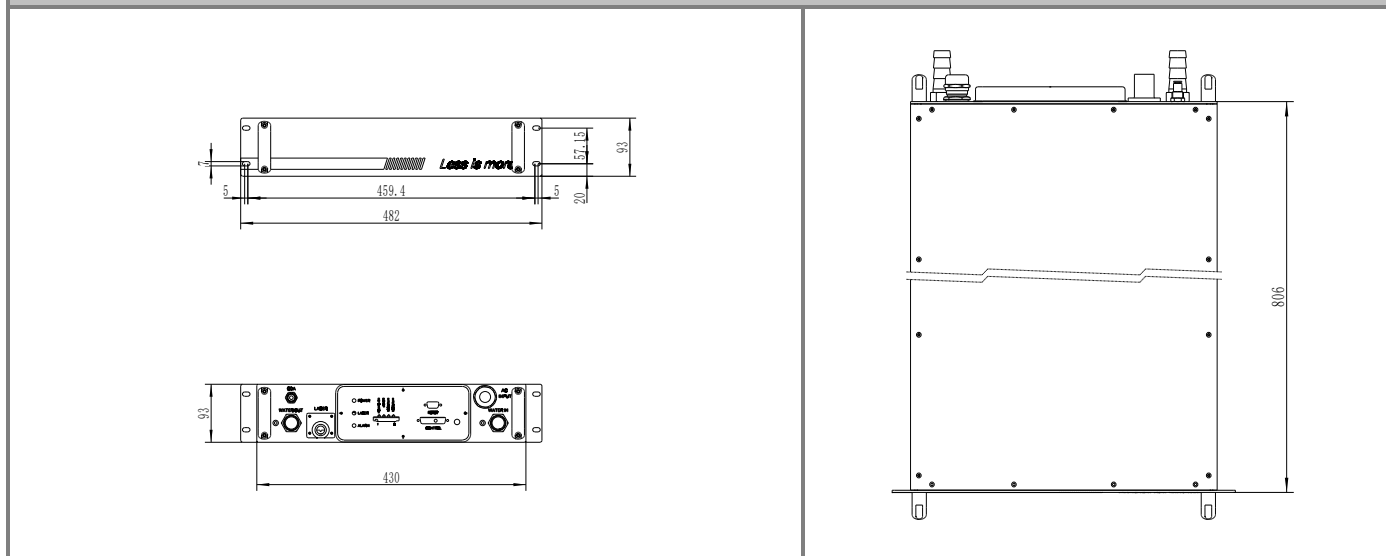
Optical Character	
Power	6000W
Wavelength	1080±10 nm
Output Fiber Core Diameter	100µm or customized
Output Cable Length	25m or customized
Output Cable Connector	QBH
Aiming Beam	Red
Operation Mode	CW or modulation
Polarization	Random
Power Stability (25°C)	< ±1.5% (2h)
Power Adjustment Scope	10%-100%
Max Modulation Frequency	5kHz
Size and Weight	
Physical Size (H×W×D)	93mm*482mm*806mm
Weight	46 kg
Electronic Character	
Power Supply	380±20 V, AC, PE, 50/60 Hz
Power Consumption	18.0 kW
Control Interface	RS232/AD
Water Cooling Parameters	
Minimum Water Cooling Capacity	13.0 kW
Temperature Settings	25°C (Laser Module), 30°C (QBH)
Cooling Tubes Size	I.D. Φ25 mm
Cooling Water Flow Rate (Laser)	>55 L/min
Cooling Water Flow Rate (QBH)	1.5~2.0L/min



## Lightning Series Fiber Laser

BFL-CW6000

### DEMINSIONS (mm)



Declaration: information and specifications contained herein are deemed to be reliable and accurate. BWT Tianjin Ltd. reserves the right to change, alter or modify the design and specifications of these products at any time without notice.